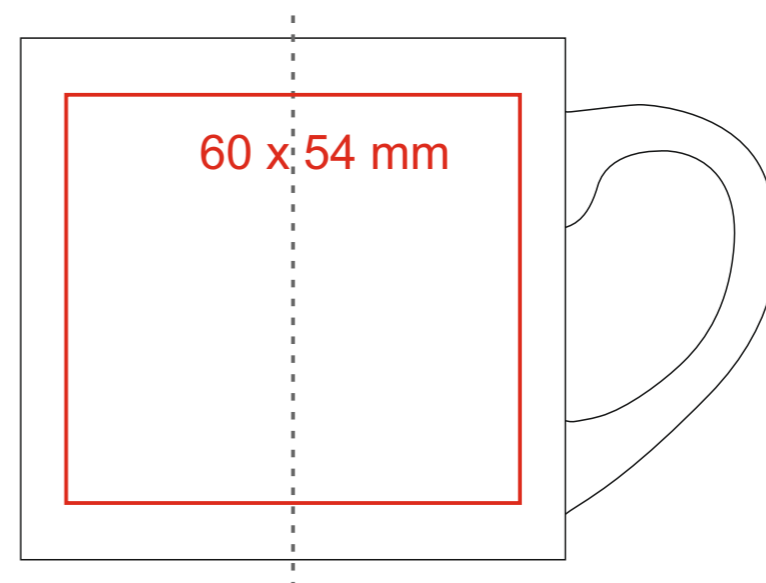
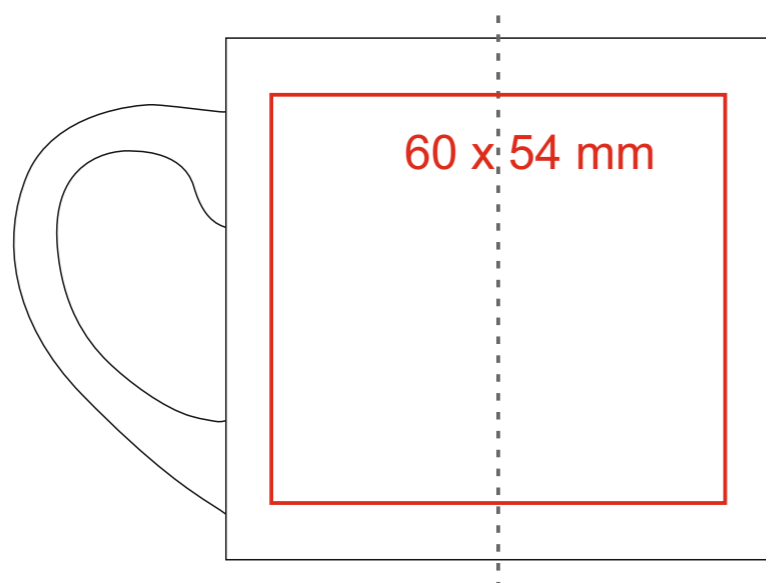
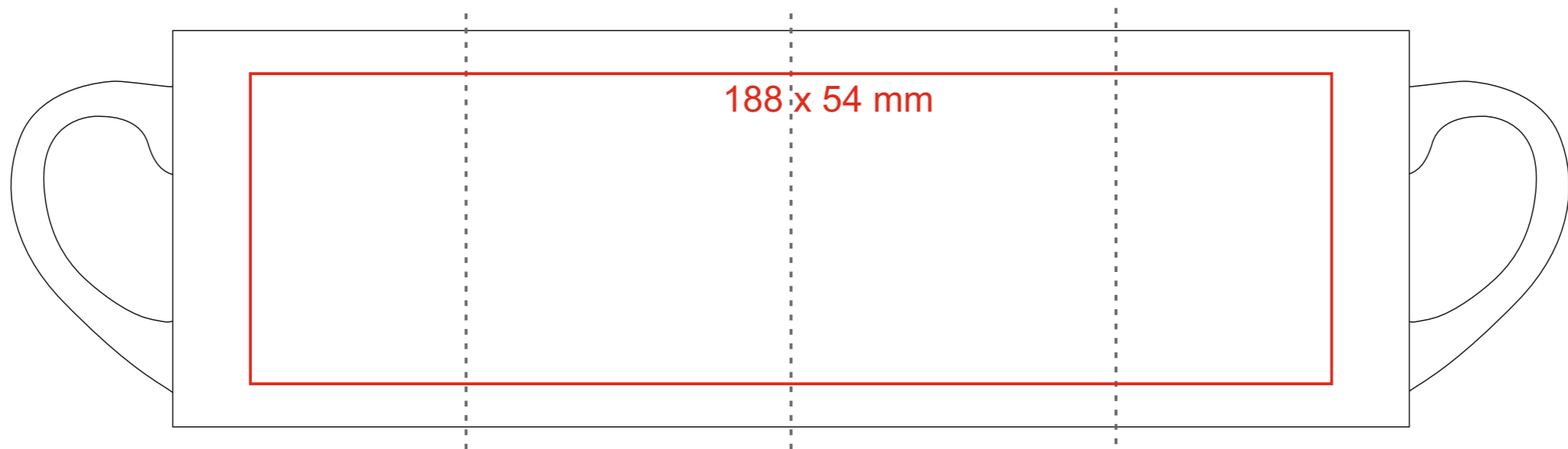


M_518 Elmo

160 ml / h: 69 mm / Ø 72 mm



[How to prepare print material](#)

meaning

— Sublimation printing