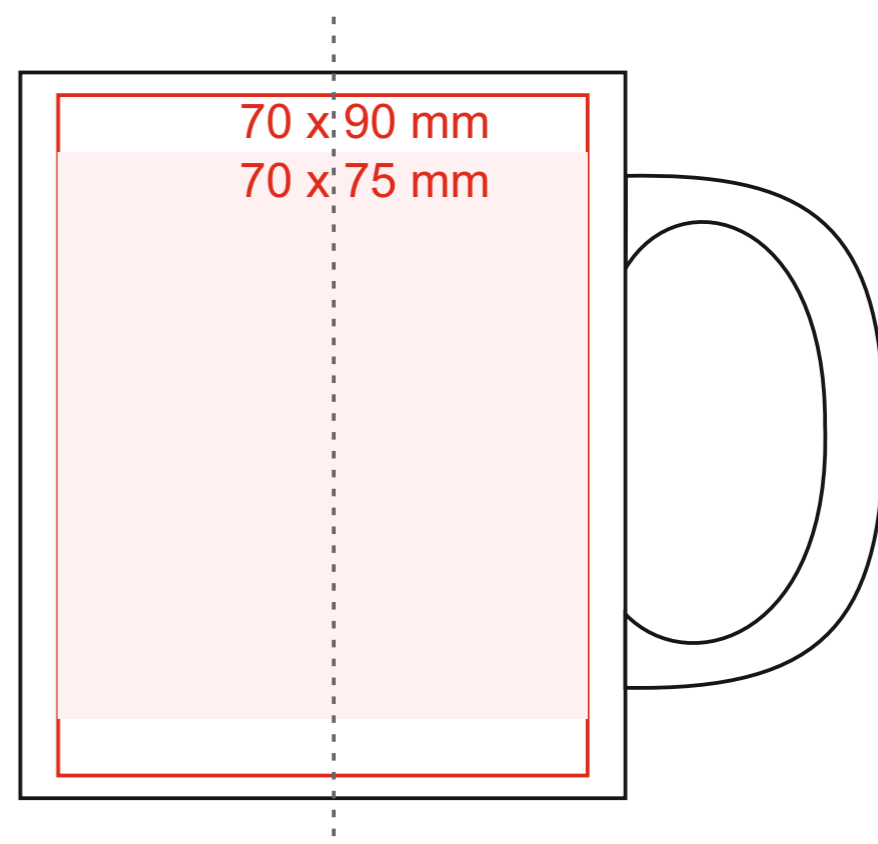
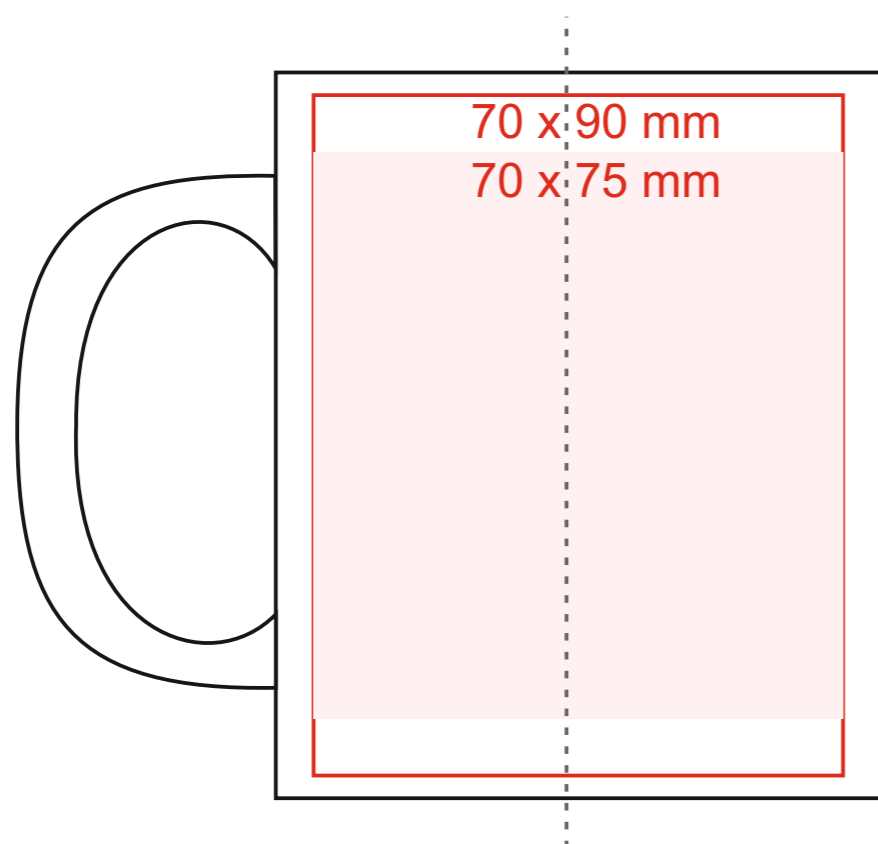
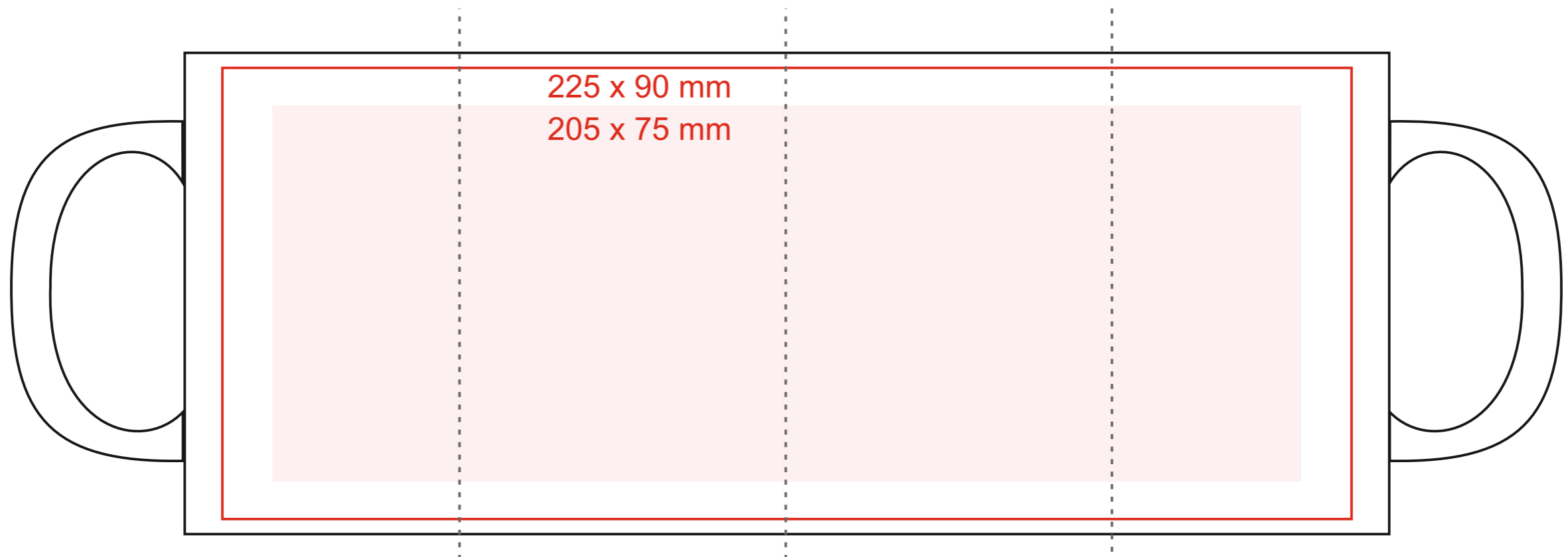



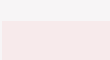
# M\_452 Tomek Art. Duo

300 ml / h: 96 mm / Ø 82 mm



[How to prepare print material](#)

## meaning

-  Sublimation printing, digital quality (maximum area printing)
-  Sublimation printing, project with small elements (safe area printing for small elements and texts)